

# DL-852Q28B | P series

## 2MP Motorized Face Recognition Network Dome Camera



- 1/2.8" 2MP STARVIS Sensor
- H.265 Triple-stream Encoding
- Embedded Face Recognition Algorithm
- 3,000 Face Templates Storage Capability On-camera
- Audio/Alarm in and out
- Micro SD Memory, PoE
- 30m IR Distance
- IP67, IK10
- Support SMB Deployment and White/Black List Access Control
- Multiple Web Browser Supported, IE/Safari/Chrome/Firefox
- P2P Cloud Function By Mobile App (AntarView Pro)



## System Overview

The ZKTeco 2MP Starlight Face Recognition Camera offers Artificial Intelligence at the edge – performing complex real-time facial recognition and facial feature comparison without the need for an external database. The camera perfectly provides accurate recognition result and further white/black list application. Meanwhile benefit by outstanding Sony STARVIS sensor and ISP optimization, it's capable of balancing light throughout the scene and promising crystal clear images in dark environment. Cloud function is built-in for every device, which is more convenient and flexible for real-time and remote viewing from APP and VMS.

## Functions

### H.265+

Delivering high quality video with up to 70% bandwidth saving. H.265+ is the evolutionary optimization of H.265 and traditional H.264. The Smart H.265+ includes a series of scene-adaptive encoding strategies such as Dynamic ROI, flexible multi-frame reference structure and smart 2D&3D noise reduction.

### IVA (Intelligent Video Analysis)

IVA is a built-in video analytic algorithm that detects object behaviors in a specific area, such as Tripwire violations, intrusion detection, abandoned or missing objects, and the number of targets enter and exit. A camera with IVA will deliver quickly and accurately responds to monitoring events that makes surveillance more intelligent and efficient.

## Technical Parameters

### Camera

Model	DL-852Q28B	Flash/DDR	1GB/4GB
Image Sensor	1/2.8" 2MP STARVIS CMOS	S/N Ratio	More than 52dB
Min. Illumination	0.01Lux@F1.6 (color) 0.001Lux@F1.6(B/W) 0 Lux with IR on	IR Distance	30m
Effective Pixels	1920(H)* 1080(V)	IR LED No.	4

### Lens

Lens Type	Motorized	Aperture	F1.6
Mount Type	Board-in	Angle of View	41°~106°
Focal Length	3.35mm-10.5mm	Optical Zoom	4X

### Video

Compression	H.265+/H.265/H.264	WDR	120dB
Resolution	1080P(1920*1080)/1.3MP(1280*960)/720P(1280*720) Q720P(640*360)/CIF(352*288)	Day/Night	Auto(ICR)/Color/B/W
Bit Rate Control	CBR/VBR	White Balance	Supported
Bit Rate	1792Kbps~8Mbps	Defog	Supported
Streaming	3 streams	Noise Reduction	3D DNR
Frame Rate	Main stream: 1920*1080(1~20fps) Sub stream: 704*576(1~25/30fps) Thrid Stream: 1280*720(1-25/30fps)	Mirror	Off / On, 0°/90°/180°/270°
Digital Zoom	12x	Flip	Supported
Audio Compression	G.711u	BLC	Supported
		ROI	Support 4 fixed region for main stream and sub stream separately
		Anti-flicker	Supported
		Privacy Mask	5 Areas

### IVA Alarm

Video Detection	Motion Detection, Video Tampering	IVA	Tripwire/Intrusion/Object Left/Missing/Target Counting /Sound Detection/Fire Detection/Scene Change/VQD
-----------------	-----------------------------------	-----	---

### Face Recognition

Face Templates Storage Capacity	3,000 images	Face Quality Filtering	Supported
Face Detection QTY	Detection of 30 face targets at the same time	Detect Area	Support specied area, default is full screen
Detected Face Size	Face pixel $\geq 60*60$	Privacy Mask	4 areas
Capture Response	$\leq 300$ ms	Trigger Mode	Video Trigger

### Network

Protocols	TCP/IP, UDP, HTTP, DHCP, RTSP, DDNS, NTP, PPPoE, UPnP, SMTP	Web Browsers	IE/Firefox/Chrome/Safari
Onvif	Onvif Profile S	VMS	AntarVis 2.0
Max. Online Users	5	Mobile App	AntarView Pro
		Platform	Mac OS/Windows/iOS/Android

### I/O port

Ethernet	1 RJ-45 port (10/100Mbps)	Reset Button	Supported
Audio I/O	1/1	TF Slot	Support Max 128G, Micro SD(SDHC /SDXC)local storage
Alarm I/O	2/1	USA	USB2.0
RS485	Supported		

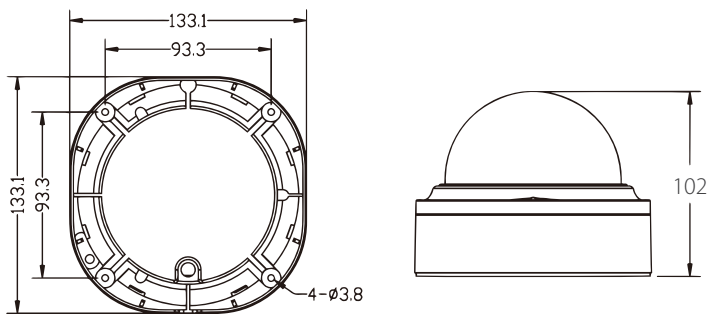
### General

Power Supply	PoE, IEEE802.3af DC12V±10%	Working Humidity	0%-90%
Power Consumption	< 3W	Dimensions	102*93.2mm
Protection	IP67,IK10	Net Weight	0.50KG
Working Temperature	-30°C ~ 60°C	Gross Weight	0.70KG

### Ordering Information

Type	Part Number	Description
Face Recognition Camera	DL-852Q28B	2MP, 3.35~10.5mm Motorized Face Recognition Network Dome Camera

### Dimensions (mm)



More details

ZKTECO CO.,LTD.  
www.zkteco.com  
E-mail: sales@zkteco.com

Copyright ©2018 ZKTECO CO., LTD. All rights reserved.

