

Z504/08NER-4P/8P

4/8 Channel 4K&H.265+ Network Video Recorder



Features

- H.265+/H.265/H.264+/H.264 Decoding
- Support 4/8CH 4K Resolution Preview and Playback
- Support HDMI up to 4K output
- DHCP, FTP, DNS, DDNS, NTP, UPNP, RTSP etc.
- ONVIF Profile S Compatible
- Cloud Service, P2P
- Mobile phone remote monitoring (iOS, Android)
- Multi-browser access (IE, Chrome, Firefox, Safari)



System Overview

ZKTeco Z500NER-P series could deliver up to 4K resolution excellent image over advanced H.265+ decoding.

It's the ideal consideration for the balance of quality, performance and budget.

The friendly GUI provides intuitive shortcut operations, remote control and management, flexible storage, smart search and playback.

It's widely used for the government, banking sectors, manufacturers, educational or commercial projects.

Powered by the strong interoperability and Onvif Profile S, it's compatible with plenty of 3rd party IPC or crossing platform VMS.

Functions

Up to 4K (3840 x 2160) Resolution Preview or Playback

IVA (Intelligent Video Analysis) supported, it allows to detect multiple object behaviors, like tripwire, intrusion, objects missing or abandoned etc.

Smart Add

Only one click to add all the private IP cameras into NVR like analog system connection, to avoid IP conflict problem.

AntarView

Flexibly and remotely monitor at anytime or anywhere with AntarView APP.

Technical Parameters

Model	Z504NER-4P	Z508NER-8P
System		
Processor	Multi-core Embedded Processor	
Operation System	Embedded Linux	
Display		
Interface	1 HDMI,1 VGA	
OSD	Camera Title, Time, Video Loss, Motion Detection, Recording	

Video Detection and Alarm

Linkaged Events	Alarm Out, Linkage Record, Snapshot, PTZ Linkage, Tour, Show Message, Buzzer, Send Email, FTP, Upload Cloud, Push Alarm
Motion Detection	MD Zones: 396 (22x18)
Alarm Input	N/A
Alarm Output	N/A

Playback and Backup

Playback Channel	4	8
Search Mode	Time/Date, MD and Exact Search, Smart Search	
Playback Function	Play, Pause, Stop, Rewind, Fast Play, Slow Play, Next Camera, Previous Camera, Full Screen, Shuffle, Backup Selection, Digital Zoom	
Backup Mode	USB device/Network	

Interface and Storage

Network Interface	1 RJ-45 port (10/100Mbps)
HDD	1 SATA, up to 10TB capacity for each HDD
USB	2xUSB 2.0

Audio and Video

IPC Input Channel	4	8
Two-way Talk	1 Channel Input, 1 Channel Output, RCA.	N/A

Recording

Video Compression	H.265+/H.265/H.264+/H.264	
Recording Resolution	8MP/6MP/5MP/4MP/3MP/1080P/1.3MP/720P etc.	
Incoming Bandwidth	48Mbps	60Mbps
Bitrate	Self-adaptive with IP Camera	
Record Mode	Manual, Schedule, Motion Detection, Video Loss, Privacy Mask, VQD, IVA	

Network

PoE	IEEE 802.3af	
	4 ports	8 ports
Network Protocol	HTTP, TCP/IP, IPV4, UDP, RTSP, DHCP, FTP, PPPOE, NTP, UPnP, P2P, DDNS, SMTP	
Max. Online User	20	
Mobile App	Antarview (iOS & Android)	
Interoperability	Onvif Profile S, SDK	

Electrical

Power supply	DC 48V1.35A	DC 48V1.875A
Consumption	7W without HDD	

Environmental

Working Temperature	-10℃ ~+55℃
Working Humidity	10~90%

Package

Dimensions	215mmx235mmx45mm
Net Weight	1.7KG
Gross Weight	2.05KG

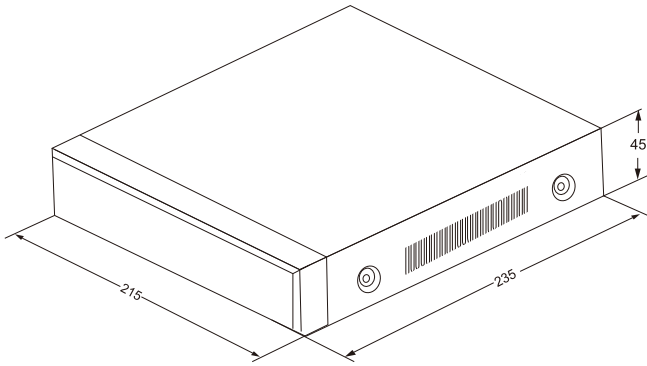
Certifications

CE	EN55032, EN55024, EN61000-3-2, EN61000-3-3
FCC	Part 15 Subpart B,ANSI C63.4-2014

Ordering Information

Type	Part Number	Description
PoE NVR	Z504NER-4P	4 channel 1 SATA PoE NVR
	Z508NER-8P	8 channel 1 SATA PoE NVR

Dimensions (mm)



Rear Panel

