

# Installation Guide

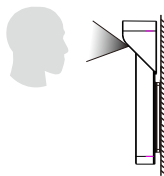
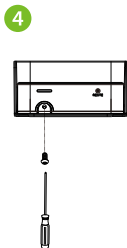
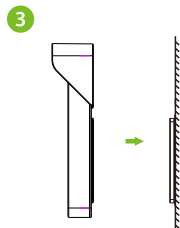
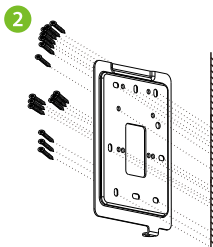
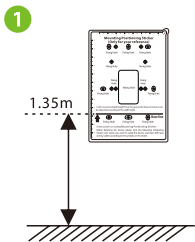
---

SpeedFace M4

Version: 1.0

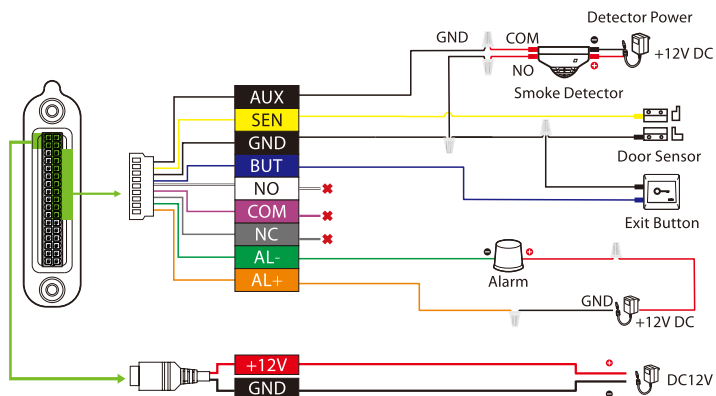
# How to Install the Device?

1. Attach the mounting template sticker to the wall, and drill holes according to the mounting paper.
2. Fix the Backplate on the wall using the wall mounting screws.
3. Attach the device to the Backplate.
4. Fasten it with a security screw.



# Wiring Diagram

## Door Sensor, Exit Button, Power & Alarm Connection:

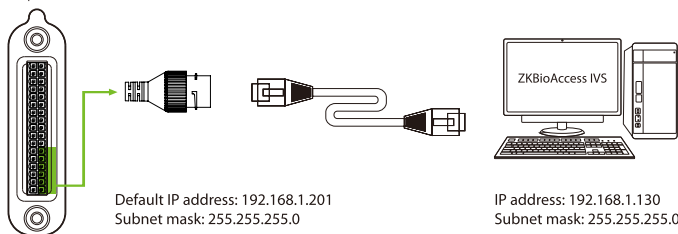


✗ Do not Use

- Recommended AC adapter: 12V, 3A
- To share the power with other devices, use an AC adapter with higher current ratings.

## Ethernet Connection:

Connect the device and computer software over an Ethernet cable. As shown in the example below:



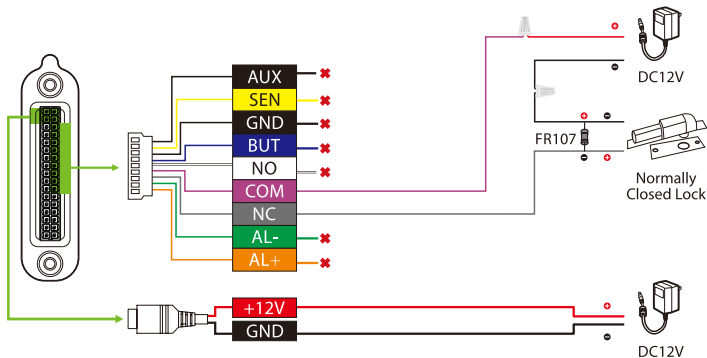
Click [COMM.] > [Ethernet] > [IP Address], input the IP address and click [OK].

**Note:** In LAN, IP addresses of the server (PC) and the device must be in the same network segment when connecting to **ZKBioAccess IVS software**.

## Lock Relay Connection:

The system supports both **Normally Opened Lock** and **Normally Closed Lock**. The **NO Lock** (normally opened when powered) is connected with 'NO1' and 'COM' terminals, and the **NC Lock** (normally closed when powered) is connected with 'NC1' and 'COM' terminals. The power can be shared with the lock or can be used separately for the lock, as shown in the example with NC Lock below:

### Device not sharing power with the lock



### Device sharing power with the lock

