

# SpeedFace-V5

## Starter Facial Recognition Terminal with 5-inch Touch Display



Proactive Facial Recognition



New Height of Anti-Spoofing



Speedy Recognition



Wide Pose Angle Acceptance



Touchless for Better Hygiene

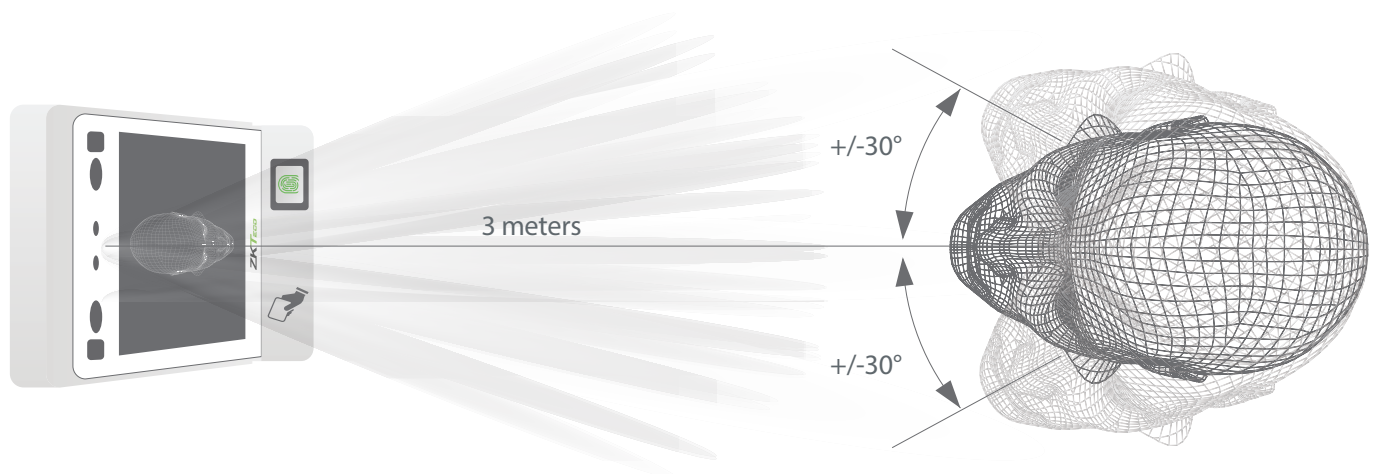
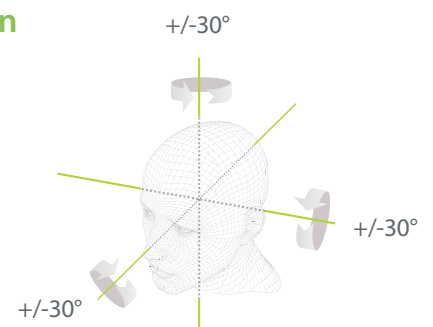


### Features

- Enhanced Visible Light Facial Recognition with Computer Vision built-in
- Multiple verification with Fingerprint, RFID and Facial Recognition
- 5-inch touch LCD
- Dual-camera for real-time face detection
- 6,000 face template capacity
- Recognition distance: 0.3 - 3 m
- Compatible with external RS232, RS485 and Wiegand reader
- TCP / IP, Wi-Fi communication

### Recognition distance of 3 meters and extra wide angle recognition

The recognition distance has been greatly extended to 3 meters, which significantly improves maximum traffic rate. While most of algorithms only support 15-degree of angle tolerance for facial recognition, ZKTeco supports 30-degree of angle tolerance.



## Specifications

	Model	SpeedFace-V5
Hardware	LCD	5-inch touch screen
	CPU	Quad-core A17 1.8GHz
	Memory	2G RAM / 16G ROM
	Camera	2MP dual lens
	Communication	TCP / IP, Wi-Fi (optional) RS232, RS485 for external reader Wiegand Input/Output
	Accessory	Door lock, door sensor, alarm, exit button and auxiliary input
	Audio	Loudspeaker
Capacity	Users	10,000
	Face Template	6,000
	Fingerprint	10,000 (optional)
	RFID	10,000 (optional)
	Log	200,000
Operating	Voltage	12V 3A
	Temperature	-10°C ~ 45°C (14°F ~ 113°F)
	Humidity	10% ~ 90%
	Software	ZKBioAccess

## Optional Accessories



RS485  
Fingerprint Reader



RFID Reader



Exit Button



Electric Lock



Alarm



Sensor

## Dimensions (mm)

