

# V350

## Finger Vein Standalone Access Control Terminal



V350 is an IP-based finger vein terminal used for access control. It can support to work in standalone mode, or connect to third party access control panel by using wiegand interface.

With independent patent vein recognition technology, V350 has many advantages. It can identify fake finger; not affected by external light and the fingerprint wear. It can also effectively identify finger desquamate.

---

### Features

- Work in standalone mode or TCP/IP connected
- Reliable, durable and highly accurate authentication
- 2.8 inch capacitive screen
- Full access control function

# Specifications

|                       |  |
|-----------------------|--|
| Core board            | ZMM220                                   |
| CPU                   | 1.2GMHz                                  |
| Communication         | TCP/IP, RS485                            |
| Vein Capacity         | 1,000                                    |
| RF Card               | EM, Mifare (Optional)                    |
| Authentication        | Finger vein, Password, card (Optional)   |
| Auxiliary terminal    | 1 Aux. input                             |
| Wiegand               | Wiegand in and out                       |
| Display               | 2.8-inch capacitive screen               |
| Operating Voltage     | DC 12V 3A                                |
| Operating Temperature | -10°C ~ 45°C                             |
| Dimensions            | 232mm×91mm×117mm(length×width×thickness) |
| SDK                   | PULL SDK (new firmware)                  |

## Optional Accessories



Exit Button



Break Glass Button



Electric Lock

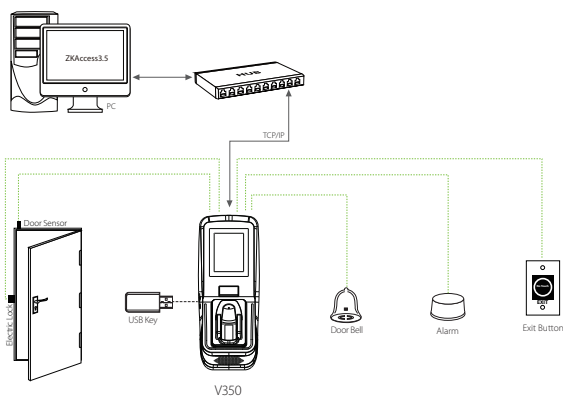


Alarm

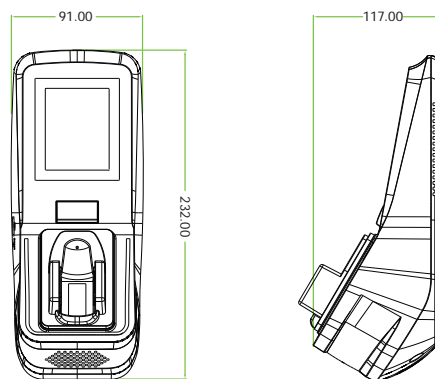


Sensor

## Configuration



## Dimensions (mm)



ZKTeco (PTY) Ltd  
 E-mail:  
[sales@zkteco.co.za](mailto:sales@zkteco.co.za)  
[www.zkteco.co.za](http://www.zkteco.co.za)

© Copyright 2015 ZKTeco Inc. ZKTeco Logo is a registered trademark of ZKTeco or a related company. All other product and company names mentioned are used for identification purposes only and may be the trademarks of their respective owners. All specifications are subject to change without notice. All rights reserved.